



SCHIO, 13/11/2023

Dear

PEKARSKE MAŠINE

Andrije Vojinovića 55, Uzveće

Bogatić

SRBIJA

Tel. +381 65 550 60 11

pinoutletdoo@gmail.com

www.pekarskemasine.com

BUDGETTARY QUOTATION N°22675

Make Up Small





INDEX

1. DESCRIPTION:.....	4
2. TECHNICAL FEATURES:	5
3. LAYOUT:.....	5
4. OPTIONAL:	6
5. GROUPS DESCRIPTION:	7
6. PRODUCTS:.....	9
7. INCLUDED:.....	10
8. EXCLUDED:	10
9. DELIVERY:.....	10
10. PAYMENT:	10
11. SHIPMENT:	10
12. STARTUP-TEST:	10
13. VALIDITY QUOTATION:.....	11
14. GENERAL CONDITIONS OF SALE	12



MAKE UP SMALL





1. Description:

The table is built and designed to be versatile and adaptable with a range of options adapted to different customer requirements, suitable for artisanal use.

The control is controlled by PLC, panel and inverter Siemens ensuring high performance with a brand synonymous with quality and is easy to use and intuitive symbols with a recipe management system and an integrated diagnostic system.

The make-up is composed by:

- AISI-304 stainless-steel construction;
- double cutting station;
- n°2 rolling pins;
- static lateral scraps elimination;
- n°2 boxes for scrap;
- electric cabinet in stainless steel with PLC Siemens S7-1200;
- electric commander adjustable arm with Touch Screen Siemens for control the line:
 - 100 working recipe
 - Speed table control
 - guillotine and dosing dispenser full control
 - dosing type control programmer
 - full diagnostic of line
 - icons interface touch screen



- faster belt release with safety lock system and easy cleaning



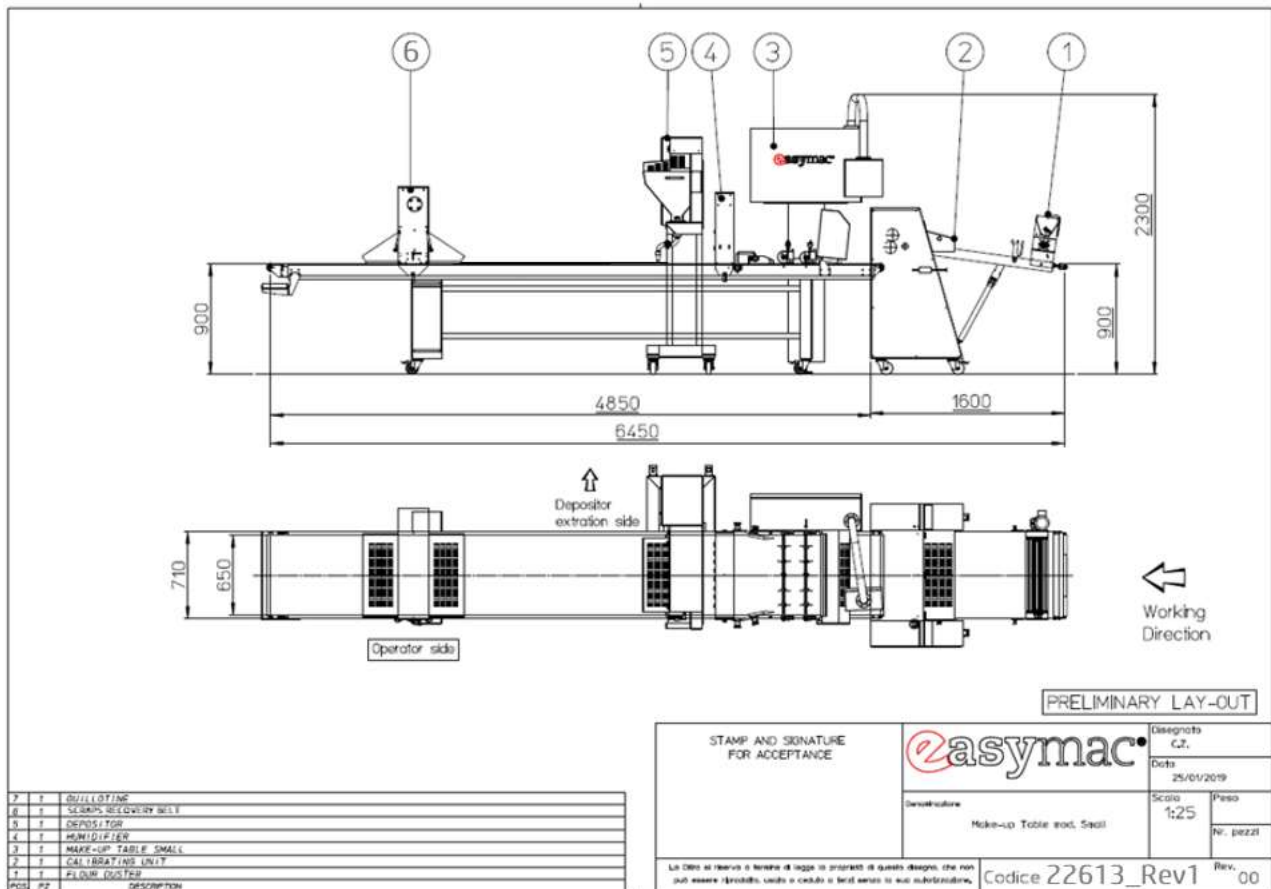
- Rounded corners and 45° reinforcements to avoid powder and flour deposit
- Control console arm



2. Technical features:

Speed	0 – 6 m/min
Commander touch screen	IP65
Touch screen type	Siemens
Recipes number	100
PLC e drive	Siemens
Power voltage	230-400V 50/60 Hz
Power voltage command	24VDC
Length	5.000 mm
Make up width	700 mm
Belt width	650 mm
Working height	900 mm

3. Layout:



Indicative layout



4. Optional:

- Gauging roller
- Humidifier drop (water)
- Double cutting station
- Electric depositor with 4/6 output
- Folding units



- Flour and sugar duster
- Raisin and chocolate dispenser
- Snail reeler
- Electric guillotine
- Scrap removal device
- Dampening system and spraying
- Higher belt for 2nd dough layer
- Higher calibrating unit
- Adjustable spreading belt
- Trolley for accessories
- Customized knives
- Matrices for molds
- Retracting panning belt system



5. Groups description:

EASYMAC S.R.L.

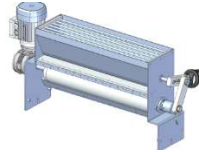
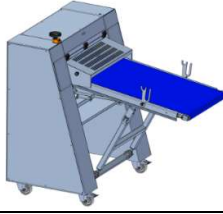
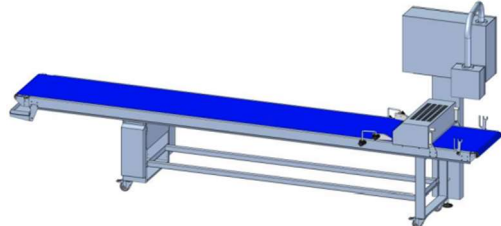
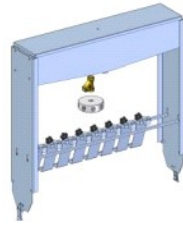
Via Luigi Cazzola, 12

36015 Schio – VI – ITALY

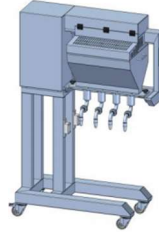
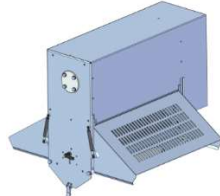

Tel. +3904451948031

P.I. 03841530243 - REA 358433

www.easymac.it – info@easymac.it




Pos. 1 - Flour duster	
<p>Flour duster with structure in stainless steel AISI 304, with a removable hopper; regulating of the amount and adjustment of the width of depositor area by bulkheads. Electrical connection via quick connector, installed power 0,18 kW.</p>	
Nr.1	
Pos. 2 - Gauging roller	
<p>Form gauging roller with steel AISI 304 structure with inlet belt to 1.500 mm designed for installation of support rolling pin and flour duster, equipped with wheels to facilitate moving. Speed control to sensors and drive control inverter. Electrical connection to quick connector, installed power from 0,37 kW.</p>	
Nr.1	
Pos. 3 - Make Up small 5.000 mm	
<p>Make up table for the artisan production for any kind of dough. Maximum flexibility to match products and customer's requirement thanks to the wide range of accessories. Different dimensions for the right cut and layer of dough.</p> <ol style="list-style-type: none"> 1) Double cutting station 2) Touch panel 3) Quick fastening accessories 4) Support for rolling pin 5) Support for rollers 6) Scraps plastic containers 	
Nr.1	
Pos. 4 - Humidifier 8 outlet	
<p>Humidifier drops type 24 V DC – with 8 adjustable outlets</p>	
Nr.1	


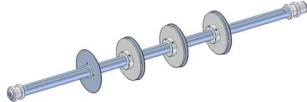
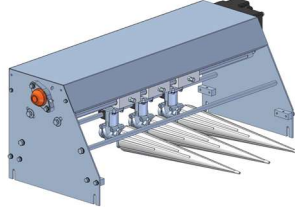
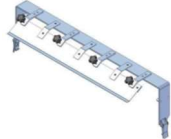



Pos. 5 - Depositor 4 outlets	
<p>Electric depositor with screws 4 outlets with possibility of exclusion of some outlets. Suitable for spot-continuous intermittent dosage. Removable hopper. Adjustable speed by inverter 1,1-1,5 kW. Structure made in stainless steel AISI 304.</p>	
Nr.1	
Pos. 5 – Internal mixer for ingredients	
<p>Mixer to move the filling into the hopper of the depositor Pos.5. Suggested for particular products containing oil, seeds, herbs.</p>	
Nr.1	
Pos. 6 - Mechanical Electric Guillotine	
<p>Mechanical electric guillotine – kW 0,37 Height under safety grid: 60 mm Die: max die length: 160 mm max die width: 580 mm max number of cutting 40/min Cut: useful width: 580 mm max number of cutting: 80/min</p>	
Nr.1	
MODEM TELESERVICE	
<p>Modem for tele-service for Siemens S7 300 – 1200 – 1500 with Ethernet bus. The connection can be via cable or WiFi with the customer internet connection.</p>	



6. Products:

PRODUCT	P18	SPECIFICATIONS		ACCESSORIES
CHAHO JAMON / QUESO 		rows	3	N.1 Cutting drum for triangular shape 3 rows  N.1 Fixed manifold 6 outlets – To be connected to the dosing unit to dose the 3+3 triangles 
		Dough band	----	
		Product dimensions	130x170 mm	
NOTE: PN00104 / 105		ONLY CUT – Triangular shape + Manual introduction of triangular doughs into the moulder or manual moulded. We can prepare a specific triangle dimension, depending on your product.		
N.1				

PRODUCT	P35	SPECIFICATIONS		ACCESSORIES
 P41		rows	3	N. 1 Shaft for snail - 3 rows  N. 1 Folding unit 1 fold 3 rows N. 1 Conic winding rollers at 3 rows  N. 1 Spreading blade 
		Dough band		
		Product dimensions	Ø 80-100 mm	
N.1				
NOTE: PN00113		Optional: Decoration shaft 40 mm 		



7. Included:

- Line full assembled and tested in our factory
- Handbook for operator
- Electric plant
- CE declaration

8. Excluded:

- Foundation and installation works, wiring and piping works in your factory.
- Traveling, lodging and meal expenses of our technician
- Startup in your factory
 - Technician startup in your factory 600,00 € per day (travel days included)
- flour and various ingredients
- Package
- License
- Taxes and duties
- Anything not specified
- Compressor group

9. Delivery:

- To be agreed
****2-3 weeks on August and 1 week in Christmas time are not considered in the delivery time**
- Due to the difficulty of finding the materials, the delivery date could undergo involuntary changes.

10. Payment:

- 30% Down payment; 65% By L/C irrevocable and confirmed by a primary Italian bank; 5% Within 30 days from start up and installation.

11. Shipment:

- FOB (To be quoted)

12. Startup-test:

- At customer company : excluded
- In our company : included
- The start up and installation it will take 5 days with 1 technician for installation and testing, **not included (Start Up and installation: € 600 x 5 = € 3.000)**
- Travel days (1+1), flight ticket, room and board and lodging for technician, **not included (Travel days 1+1 = 600 x 2 = € 1.200,00).**



13. Validity quotation:

- Due to the continuous and uncontrolled increase in raw material costs, we grant the validity of this offer for 1 month.

The power connection will be confirmed at the order.

The right dimensions of productions will be confirmed at the order.

Easymac Srl

Alberto Conte



14. GENERAL CONDITIONS OF SALE

1- DELIVERY AND DELIVERY TERMS: Delivery terms shall run from endorsement of the sales contract, which shall be considered as such by EASYMAC SRL on receipt of a copy of the same duly signed for acceptance in all parts by the customer.

If part payment of the overall sum is envisaged along with the data necessary for fulfillment of delivery, failure to correspond or communicate the same within the terms contemplated shall result in suspension of the contract, all rights to EASYMAC SRL to consider the contract cancelled and sue for damages being reserved.

Any delay in delivery due to force major or other uncontrollable event such as strike of operatives, forwarders and/or shippers shall not give rise to allowances of any kind.

Other delays in delivery, over and above reasonable limits, and with regard to which penalties are envisaged, shall give rise to allowances no greater than 10% of the overall supply value.

2- TECHNICAL SPECIFICATIONS: during the design and/or construction phase, EASYMAC SRL reserves the right to make any modification which it sees fit to fulfill the contract.

3- EFFECT OF THE CONTRACT: the contract shall be considered effective exclusively through written acceptance of the buyer's order by the seller. Any changes to the general sales conditions or particulars, as well as any customer request or verbal agreement with representatives or seller's agents shall not be considered valid unless confirmed by the seller itself.

4- PRICE: price are quoted net of VAT and any other tax or duty (stamps, customs, etc.)

5- MACHINERY TRANSPORT AND INSURANCE: where not otherwise indicated, the goods are intended as sold ex-factory, packaging included.

The goods travel at the exclusive risk of the buyer, even if sold carriage paid.

Any damage found on receipt of the goods must be communicated and recorded on transport documents.

In default, EASYMAC SRL shall consider guarantees for the damaged parts void.

The buyer is obliged to insure the machinery purchased.

6- ASSEMBLY: the following shall be at the exclusive expense of the buyer (including in case of purchase with assembly included):

- means and labour for unloading and positioning the machinery
- connections of supplied machinery to all main supplies (electricity, compressed air, etc.)
- travelling expenses and board and lodging for assembly and testing personnel

In case of sale assembly not included: (in addition to the above) , labour costs of assembly and testing personnel.

7- TESTING: during testing, in addition to the above costs, the materials and labour shall be at the expense of the buyer.

Testing shall be considered as completed with positive results in production during our start-up intervention (in accordance with guarantee conditions) or following 30 days of delivery and, where contemplated, assembly.

8- GUARANTEE: the guarantee shall run from the date of testing, or in any case after 30 days from the delivery date. Mechanical parts are under warranty for 12 months. Other parts follow guarantee granted by our suppliers.

It shall cover new parts as replacement of defective or faulty components and their transport. Labour cost of replacing parts is at buyer's charge. If an intervention of our technicians is required, travelling, board and lodging costs for our personnel shall be at the expense of the buyer. The guarantee shall not extend to cover natural wear, deterioration and the lack of periodic maintenance.

The guarantee shall be forfeit in case of:

- incorrect use;
- tampering or unauthorized modifications;
- lack of or inadequate ordinary maintenance;
- irregularities in electricity supply, compressed air supply, etc.

The buyer shall forfeit the guarantee pursuant to art.1495 C.C. in case of late communication of defects.

The guarantee shall also be forfeit in case of irregularities in payments.

The seller shall not respond for damages to the buyer due to lost production as a result of breakdown or malfunction, and shall respond exclusively pursuant to the terms of the guarantee.

9- EXCEPTION: payment conditions may not be altered if not by written agreement between the parties.

Bankers interest and relative charges (bank charges, stamp duties, etc.) for any extension to payment terms shall be at the expense of the buyer.

10- FINANCING: sales made through leasing companies or contracts pursuant to law 1329/65 or other forms which contemplate the intervention of a finance company shall be subject to approval by the same company within 30 days of signing these conditions.

All costs and interest for such financing operations shall be at the expense of the buyer and, if paid in advance by EASYMAC SRL, shall be reimbursed on invoice presentation.

11- COMPETENT COURT: the court of Vicenza (Italy) shall have exclusive jurisdiction over any dispute or controversy arising from this contract.

EASYMAC S.R.L.

For acceptance
